

FlexCell MTM



Modular integration:

- JEDEC tray feeder
- Tube feeder
- Carrier tape feeder
- Bulk feeder
- Test units
- Vision control
- ... and many more ...

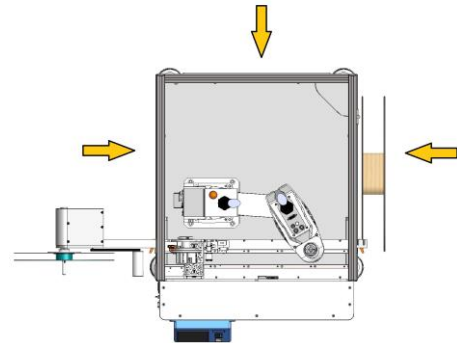
Minimal layout for maximal capabilities

Open configuration for material supply

There are numerous options to feed the material to the pick point.

Different modules can be integrated with the flexible taping cell in manner of material input, test units as electrical and mechanical tests, visual control units, etc...

Additional operations can be integrated into the taping process, as part assembly, part testing, etc...



Manual operation for small batch & sampling

Integrated Taping Machine allows manual insertion of components with ease and simplicity.

Work surface level at ergonomic height is suitable for stand up work or high chair use. Space below working surface allows comfortable work, as well as integration of additional control / measuring equipment.

Safety control prevents the robot movement when doors are open.

Intelligent taping machine control unit enables error free production also in manual mode.



Gripper Change System

Manual vacuum nozzle change system integrated in the flexible taping cell makes nozzle change easy and fast as possible. Multiple nozzle sizes are available suitable for every task.

Nozzle can be replaced with pneumatic / electronic gripper, exchange system is adapted to gripper.

On request, multiple air and electronic connection can be provided on a gripper change system. Coding on the gripper prevents wrong operation procedure when inadequate gripper is attached.

Where multiple tasks are implemented in the work cycle and different gripper has to be used, an automated gripper change system can be implemented.



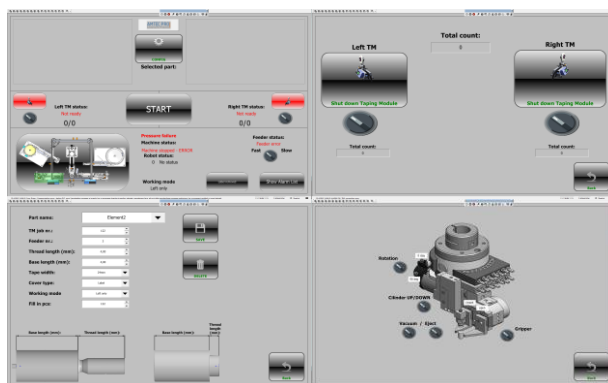
SCADA User Interface

Complete control of the system is done through SCADA user interface on a 15" touch screen. Working parameters are stored under job files in order to retrieve it when needed.

Testing and functionality as well as error status and history can be traced.

Additional communication with ERP systems is available.

Integration of the third party devices can be done under certain conditions.

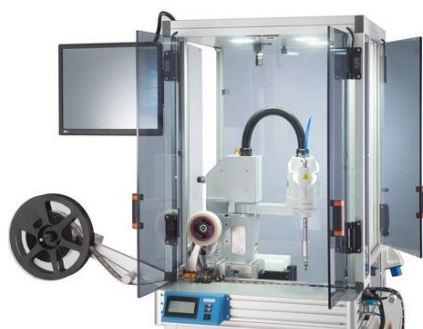


Error Free Production

Integrated Taping Machine functionality includes intelligent sensing technology and it is completely integrated into the flexible taping cell. This allows operator error free work without constant interference with the machine.

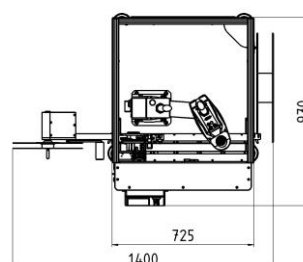
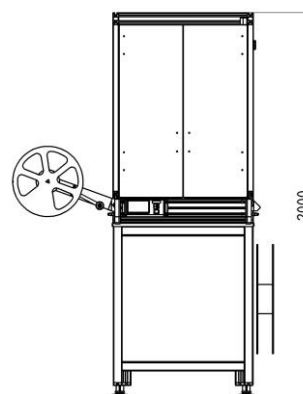
Vision sensor for component presence and orientation can be integrated to the taping module.

For detailed taping machine functionality, please check the taping machine brochure.



Technical Data

Repeatability:	$\pm 0,01\text{mm}$ $\pm 0,01^\circ$
Maximum payload:	3kg
Cycle time (1kg payload)	0,42s
Tape width:	8-88mm
Tape pitch:	2-72mm
Max pocket depth:	40mm
Electrical supply:	230VAC, 2A
Compressed air supply:	6bar, 10l/min
Weight:	200kg



Basic configuration

FlexCell MTM

- Taping Machine Integration
- 15" reel re-winder / 21" off-winder
- Al frame with Plexiglas doors 3 side / back panel
- Signal tower (RYGT)
- 15" touch screen + SCADA
- Manual quick interchangeable vacuum nozzle
- Safety regulation sensors and control

Add-ons

Vision Checker (part presence in pocket, orientation)

- Part presence / orientation
- Connection to the taping module
- Cogney/Keyence/Omron
- Holder

Vision system

- Part control / position / presence /orientation ...
- Connection to the robot
- Epson, 5M-GigE Camera

JEDEC Tray holder

- Tray holder inside work area

JEDEC Tray Changer, dual

- Automatic JEDEC tray changer for two trays
- Control and integration

JEDEC Tray Changer, automatic with 20 tray stacker

- Automatic JEDEC tray changer
- Stacker for 20 full trays / 20 empty trays
- Tray stack weight 7kg maximum, single 550g maximum
- Pup 95-1 JEDEC norm 322,6 x135,9mm, thick or thin

Tube feeder, multiple tubes (one tube set)

- Vibratory feeder with tube holder
- Multiple tube placing
- Single tube design fixing set

Tube feeder, automatic with tube stacker (one tube set)

- Automatic tube feeder
- Tube changer
- Stacker for 20 tubes (size dependent)

Bulk feeder, multiple part feed

- AsyCube 240 White Backlight
- for components up to 40mm
- Flat Vibrating Plate ESD-240
- material POM-C ED antistatic
- standard set, no customized barriers

Bulk feeding unit, part dedicated

- Bowl + linear feeder + separating unit, sensors and integration

Vision system, additional

3D inspection systems

Test & Measurement equipment

... not listed? Ask for it!

All prices are informative and EXW Trbovlje, VAT excluded. For any kind of configuration not described and valid pricing please contact us or our representative. To quote an automated feeding system please send requirement with part specifications.